

## UTP7201GE-PSE30



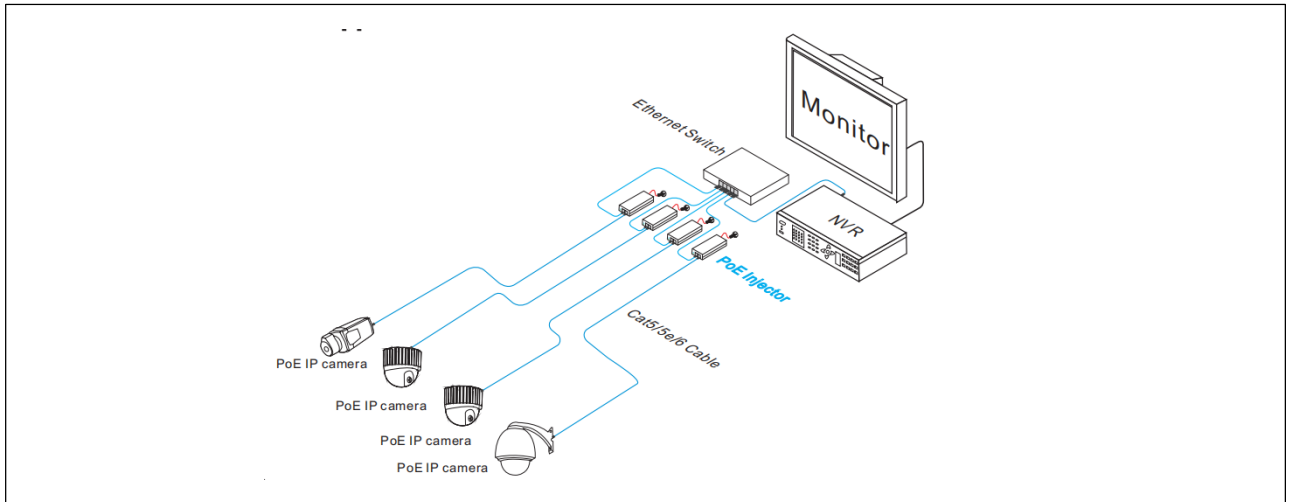
### Key Features :

- PoE+ power supply standard; Output power consumption up to 30W;
- Higher conversion efficiency(90%); Lower heat radiation;
- Working Temperature: -10°C ~ 55°C;
- 6KV lightning protection; 8KV ESD;
- No fan, no noise, dustproof;
- Auto-detection and protection of non-standard PoE devices
- LEDs indicate operation status. PoE+ power supply standard; Output power consumption up to 30W;

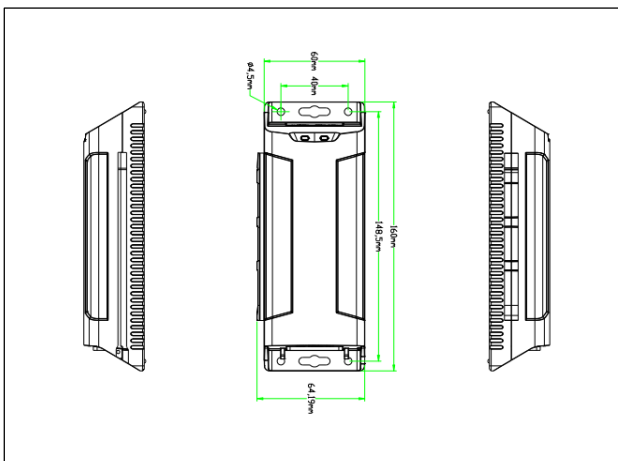
## Introduction

This is a single-port PoE injector with one Ethernet port, one PoE output port, and one AC input power port. It supports end-span PoE and the output power consumption is up to 30W; It features: 10/100M/1000Mbps network, 100m transmission distance, 6KV lightning protection, industrial-level chip, and patent alert. It's an excellent choice for power supply and network transmission on PTZ cameras, all-in-one PC, digital display system.

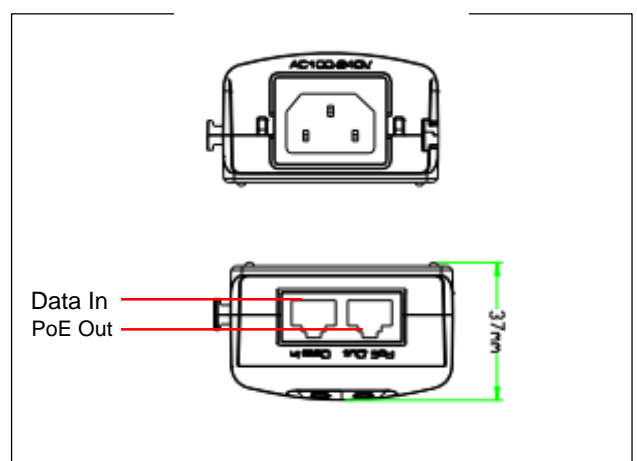
## Application



## Physical Features



## Interface drawing



Hardware Specification

Item		Description
Interface	Input Voltage	AC100V~AC240V
	Data Input	1×RJ45
	PoE output	1×RJ45
PoE	PoE Power Supply Type	End-span
	PoE Power Output	DC 54V/30 watts
	Output Ripple	< 5%
	Power Pin Assignment	Pair : 1/2(+),3/6(-)
Ethernet Port	Communication Port	1×RJ45 Input
	TransmissionRate	10/100/1000Mbps
	Transmission Medium	Cat5/5e/6 Cable
	Distance	100m (Max.)
Status	Power LED	1 (Red)
	PoE LED	1 (Orange)
Protection	Surge Protection	<b>PoE Power :</b> 1KV(Differential Mode) 2KV(Common Mode) 1.2/50us , 8/20us <b>Ethernet :</b> 2KV(Differential Mode),6KV(Common Mode) 10/7000us 8KV: 1a Contact Discharge Level 3 1b 6KV: Air Discharge Level 3 Per: IEC61000-4-2
	ESD	
Environment	Working Temperature	-10°C~55°C
	Storage Temperature	-40°C~85°C
	Humidity(Non-condensing)	0~90%
Mechanics	Dimension(LxWxH)	160mm×64mm×60mm
	Material	ABS Plastics
	Color	Black
	Weight	200g

Package List

Item	Quantity
PoE Injector	1
AC Cable	1
User Manual	1

Related Products

Item	Model
Gigabit 60W PoE Injector	UTP7201GE-PSE60
Gigabit 95W PoE Injector	UTP7201GE-PSE95